

ADDENDUM No. 2

Dated July 6, 2017

Request for Proposal (RFP)

RP213-2017-04 For New Office Furniture and Related Services

See Attached ADD-02 from HOK Inc., issued with this addendum.


End of Addendum No. 2

CLARIFICATIONS – QUESTIONS & ANSWERS

Please see the answers below regarding any questions raised in relation to this RFP.

1. Question

Workstation Description (pod of 8) – The plan shows 15x pods of 8 = 120x stations. Quantity on spreadsheet shows 128x workstations. Please clarify if the pods of 8x should total 120 workstations overall.

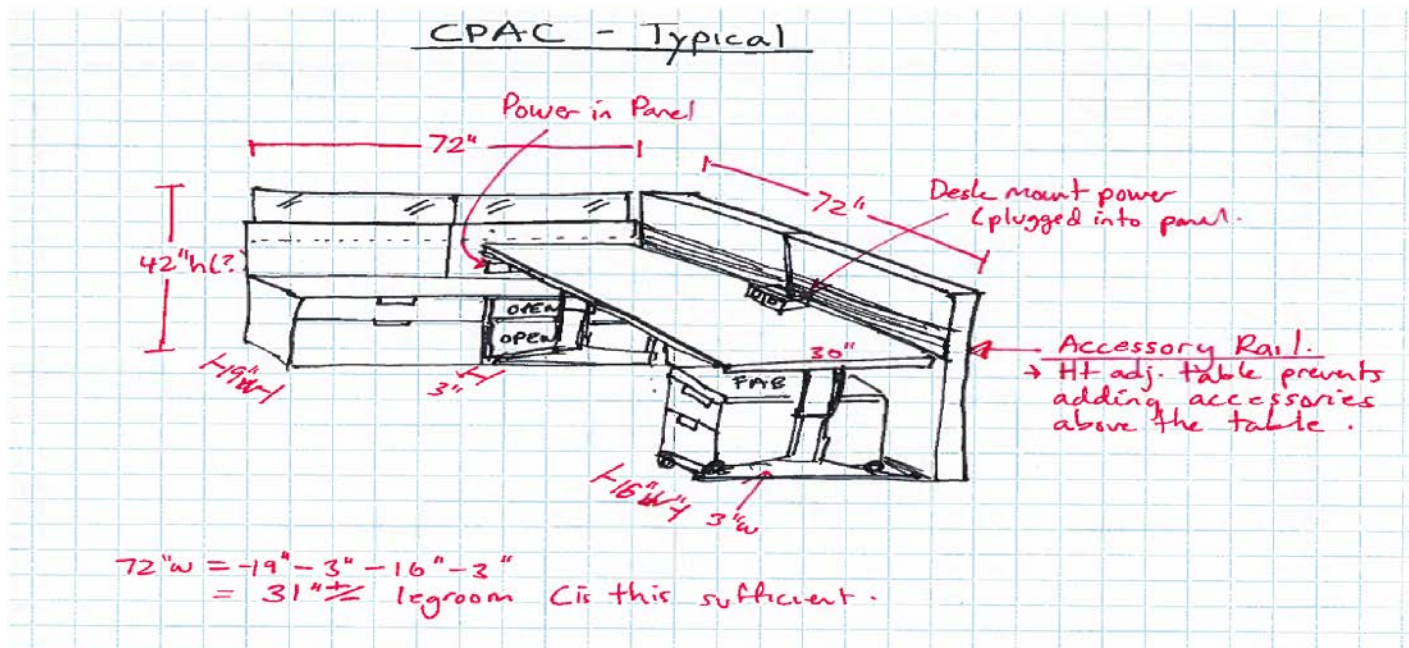
Open Office - 120 Workstations <i>pod of 8</i>	Open	6x6 workstations Fixed Desk Tackable Panel 42" Height panels with glass accessory shelves 1 1/2 high filing with lock and 1 1/2 high open shelving lockable mobile ped with cushion	Open	128		Refer to plan for layout
---	------	---	------	-----	---	--------------------------

Answer

This addendum does cover Question 1.

2. Question

Typical Workstation: Product description states workstation panels to be 42" high panels with Glass. Does this mean an overall height of 42" h (including the glass), or a 42" h panel with glass on top (51" h overall)?



Answer

42"H including the glass.

3. Question

Workstation power: Is the preference for power to be located along the center spine, as well as a desk mounted power unit to be attached to the desk? (Please see attached sketch)

Answer

Power along the spine, have a separate price/workstation for the convenience power.

4. Question

Sit-Stand desk. Sit-stand desks are requested as a Separate price. Please note that a sit-stand desk would prevent the ability to hang accessories on the accessory shelf. Should the accessory shelf be added to the main spine panel? (Please see attached sketch.)

Answer

Provide two price options for accessory on the spine and one on the front panel in case it is a fixed desk.

5. Question

Sit stand desk. Please note that adding a sitstand desk along with a mobile bbf pedestal would create legroom for the user at about 30" w +/-

Answer

Provide a 15" mobile pedestal instead of a 16" and a secondary price option for one integrated sit stand leg.



Addendum

Project:	Canadian Partnership Against Cancer	Addendum No:	ADD-02
HOK Project No:	17.32031.00	Date Issued:	July 5, 2017
Client:	CPAC	File:	H01.4
Issued By:	Pia		

This Addendum forms part of the contract documents and is to be read, interpreted, and coordinated with all other parts. The cost of all contained herein is to be included in the contract sum. The following revisions supersede the information contained in the original drawings and specifications and previous instructions to the extent referenced and shall become part thereof. Acknowledge receipt of this Addendum by inserting its number and date on the Bid Form. Failure to do so may subject bidder to disqualification.

Item No.	Refer to	Description
2	Specifications	
2.1	Furniture Spreadsheet	Area: Open Office Workstation Chair – Haworth Zody Qty changed to 21 new chairs instead of 22 new chairs
2.2	Furniture Spreadsheet	Area: Open Office Workstations Qty changed to 120 (not 128)
2.3	Furniture Spreadsheet	Area: Open Office Workstations Qty changed to 120 (not 128)
2.4	Furniture Spreadsheet	Area: 9-003 Chairs changed to existing Franch Chairs
2.5	Furniture Spreadsheet	Area: 9-004 Chairs changed to existing Franch Chairs
2.6	Furniture Spreadsheet	Area 9-025 Notes added to provide budget friendly option
2.7	Furniture Spreadsheet	Area 9-034 Notes added to provide budget friendly option
2.8	Furniture Spreadsheet	Area 9-038 Changed from existing chair to new task chairs
2.9	Furniture Spreadsheet	Area: 9-044 Chair changed to West Elm Lenox Dining Chair
2.10	Furniture Spreadsheet	Area: 9-047 Notes added to provide budget friendly option
2.11	Furniture Spreadsheet	Area: 9-049, 9-050, 9-051, 9-052 Notes added to provide budget friendly option

HOK, Inc.
400 University Avenue, Suite 2200
Toronto, Ontario M5G 1S5 Canada
t +1 416 203 9993 f +1 416 203 9992



Addendum

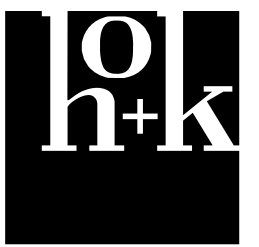
2.12	Furniture Spreadsheet	Area: 9-071 Notes added to provide budget friendly option
2.13	Furniture Spreadsheet	Area: 9-081 Notes added to provide budget friendly option
2.14	Furniture Spreadsheet	Area 9-084 Tables changed to existing Training Tables
2.15	Furniture Spreadsheet	Area 9-085 Tables changed to existing Training Tables

END OF ADDENDUM

Project
CPAC
 145 King St. West, Toronto, ON M5H 1J8

Prepared For
Canadian Partnership Against Cancer
 1 University Ave. Suite 300, Toronto, ON M5J 2P1

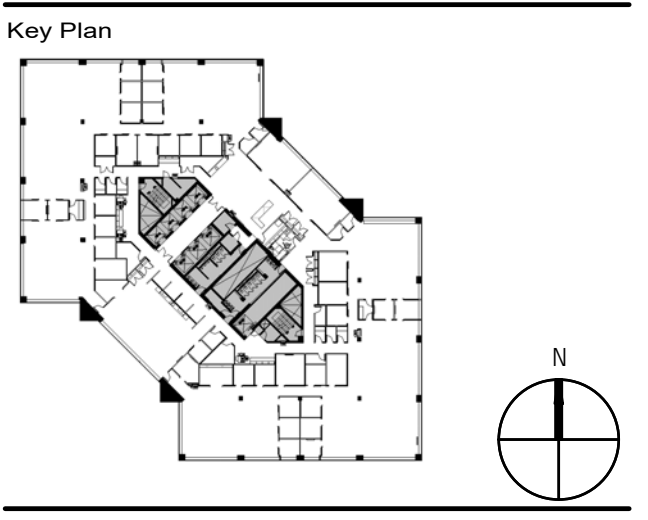
Contract No: 17.32031.00



HOK, Inc.
 400 University Avenue, Suite 2200
 Toronto, Ontario M5G 1S5 Canada
 t +1 416 203 9993 f +1 416 203 9992

All reproduction & intellectual property rights reserved © 2017
 In Association with

H.H. Angus & Associates Limited Consulting Engineers
 MECHANICAL, ELECTRICAL & COMMUNICATIONS
 1127 Leslie Street, Toronto, Ontario, M3C 2J6



No.	Description	Date
1	ISSUED FOR ENGINEER	2017-05-29
2	ISSUED FOR TENDER	2017-06-26

Project No: 17.32031.00
 Sheet Title

FURNITURE PLAN - 9TH FLOOR

Original drawing is 42 x 30. Do not scale contents of this drawing.
 Sheet Number

A609

1 FURNITURE PLAN - 9TH FLOOR
 1/8" = 1'-0"